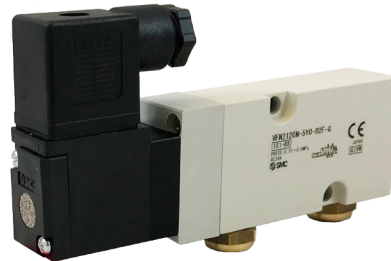


## Solenoid Valve SMC 5/2 Namur, Monostable

- The spool valves have threaded port connections and “NAMUR” style interface.
- SMC solenoid valves satisfy all relevant EC Directives.

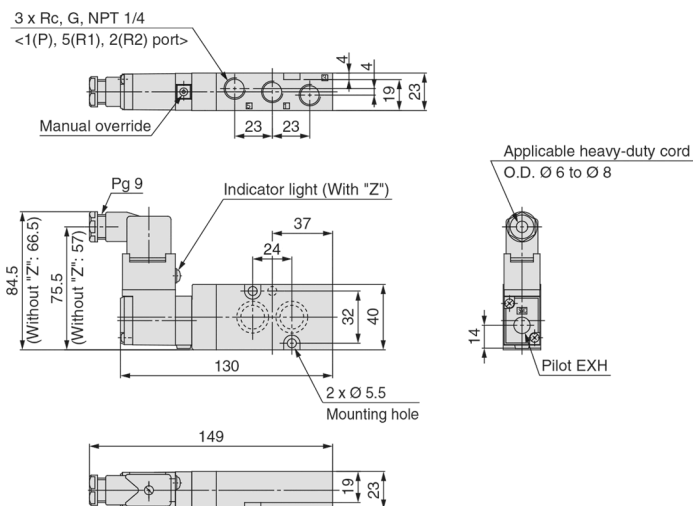


### TECHNICAL DATA

<b>Valve specifications</b>	<b>Fluid</b>	Air, Inert gas		
	<b>Max. operating pressure</b>	0.9 MPa (130 psi)		
	<b>Min. operating pressure</b>	0.15 MPa (22 psi)		
	<b>Ambient and fluid temperature</b>	-10 to +60 °C Note 1)		
	<b>Lubrication</b>	Not required Note 2)		
	<b>Pilot valve manual override</b>	Non-locking push type (Flush)		
	<b>Enclosure</b>	Dustproof		
	<b>Port size</b>	1/4		
	<b>Cv factor (Effective area)</b>	Refer to “Flow-rate Characteristics” table below.		
	<b>Weight (g)</b>	240		
<b>Other</b>	Cylinder ports should be NAMUR hole pattern.			
<b>Electrical specifications</b>	<b>Coil rated voltage</b>	12, 24 V DC, 100, 110 to 120, 200, 220, 240 V AC (50/60 Hz)		
	<b>Allowable voltage fluctuation</b>	-15 to +10 % of rated voltage		
	<b>Coil insulation type</b>	Class B or equivalent		
	<b>Apparent power AC (Power consumption)</b>	<b>Inrush</b>	5.0 VA/60 Hz, 5.6 VA/50 Hz	
		<b>Holding</b>	2.3 VA (1.5 W)/60 Hz, 3.4 VA (2.1 W) 9/50 Hz	
	<b>Power consumption DC</b>	1.8 W		
<b>Electrical entry</b>	Grommet, Grommet terminal, Conduit terminal, DIN terminal			

Note 1) Use dry-air at low temperature.

Note 2) Use turbine oil No.1 (ISO VG32), if lubricated.



### AIR SCHEMATIC

